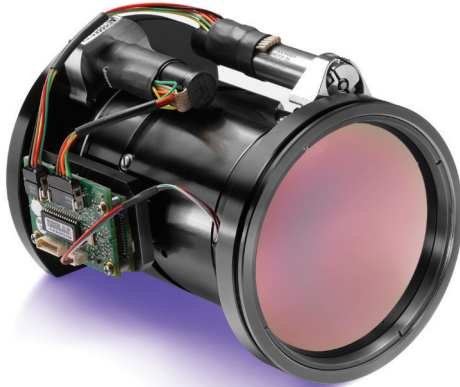


SupIR 15-300mm f/4.0, Motorized Continuous Zoom 680084 / 680204



HD
FORMAT

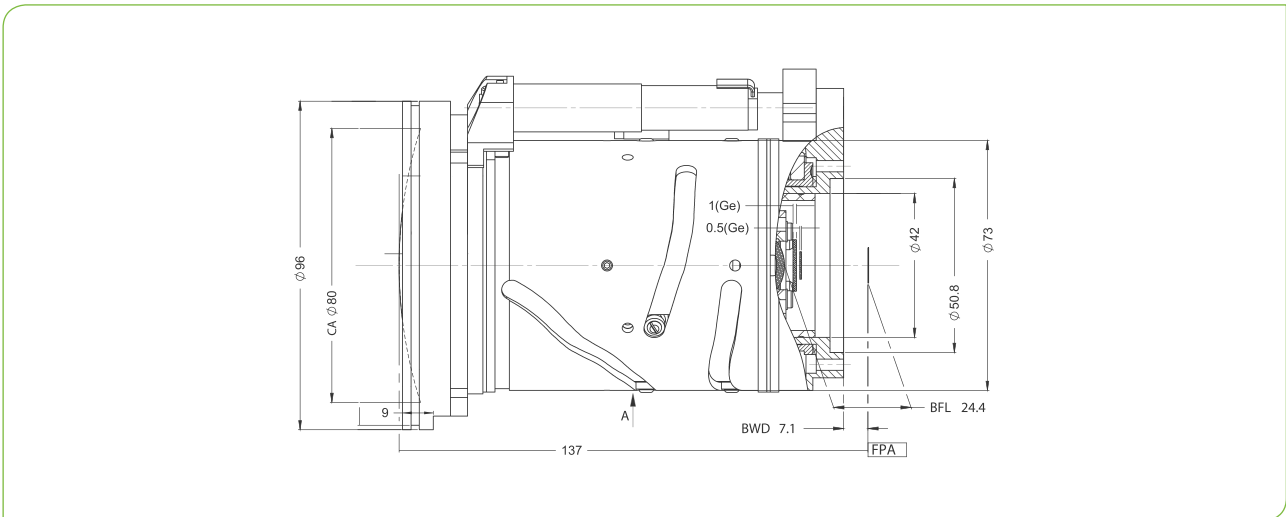
WFOV (15mm)

HFOV	640x512	1280X1024
15μ	35.1°	
10μ	-	44.9°

NFOV (300mm)

HFOV	640x512	1280X1024
15μ	1.8°	
10μ	-	2.4°

Property	Value	
Optical	WFOV	NFOV
Focal Length	15mm	300mm
F/#	4.0	
Average Transmission (3.4-5.0μm)	94% (HD) / 92% (HC)	
Minimum Focus Range	5m	50m
680084	Cold stop to FPA distance	19.4mm
	Cold stop CA	Ø4.85mm
	BFL	23.3mm in air
680204	Cold stop to FPA distance	20.5mm
	Cold stop CA	Ø5.1mm
	BFL	26.2mm in air
Nuc (by defocus)	Yes	
Mechanical		
Focus Mechanism	Motorized	
Focus Time (minimum range to ∞)	≤1 sec.	
Zoom Mechanism	Motorized	
Zoom Time (NFOV to WFOV)	≤8 sec. at -32°C; ≤5 sec. at T ≥ 20°C (at max. speed)	
Through zoom boresight	Within a radius of 0.25mm at the focal plane	
Weight	965gr	
Max. Dimensions	Ø96mm x 130mm	
Electrical		
Lens Control	Designated lens controller	
Supply Voltage	12V	



MWIR | ZOOM

Property	Value				
Electrical					
Current Consumption	0.5A average, 1.0A peak at T = - 32°C; 0.2A average, 1.0A peak at T ≥ 20°C				
Communication Protocol	RS422				
Environmental					
Operating Temperature	-32°C to + 80°C				
Storage Temperature	-54°C to + 85°C				
Sealing	IP 67 front element only				
Configurations	Description	FPA	Pixel Pitch	CSH	Coating
680084-001			20μ		High Durability
680084-002				19.4mm	Hard Carbon
680084-003	15-300mm	640x512	15μ		High Durability
680084-004					Hard Carbon
680204-001			15μ	20.5mm	High Durability
680204-002					Hard Carbon
680204-011					High Durability
680204-012					Low Reflection Hard Carbon**
680204-014	15-300mm	1280x1024	10μ	20.5mm	High Efficiency
680204-017					High Durability Hydrophobic
680204-018					Hard Carbon Hydrophobic
680204-019					Low Reflection Hard Carbon Hydrophobic

* NOTE: The ICD drawing provided here is primarily a representation and may not accurately reflect the product's actual dimensions and specifications. For precise integration specifications contact your local sales representative.

** For detailed LRHC coating specifications see page 13